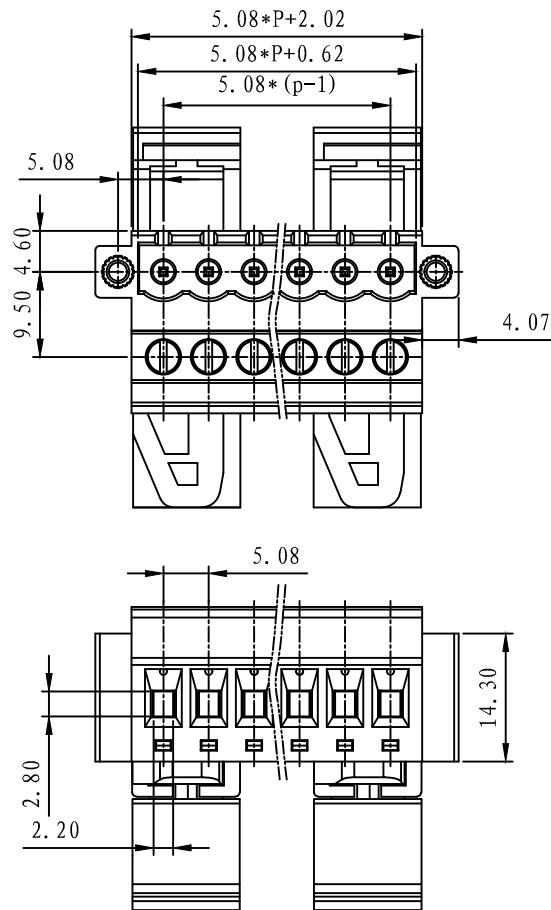


REVISION RECORD			
REV.	CONTENT	MOD.	DATE
△	初版发行		



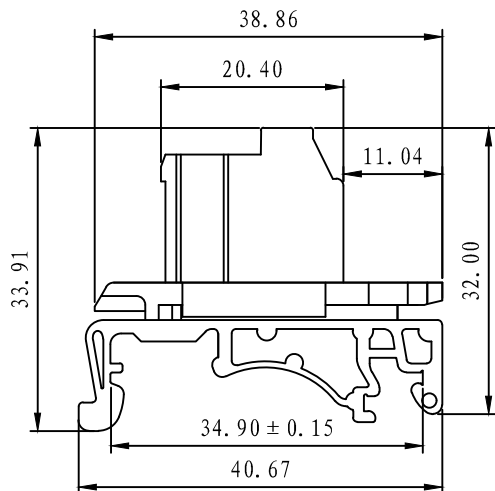
NOTES:

Pitch: 5.08mm Pole: 2-24P  
 Rated Voltage: 300V  
 Rated Current: 15A

Using Temperature Range : -40°C~+105°C  
 Wire range : 24-12 AWG  
 Screw Torque Value : 0.5 N.m

技术要求:

间距: 5.08mm 极数: 2-24P  
 额定电压: 300V  
 额定电流: 15A  
 使用条件: -40°C~+105°C  
 适用线规: 24-12AWG  
 螺丝扭矩: 0.5 N.m



备注: 2-4线只使用1个脚并且位产品正中间, 5-24线使用2个脚

	pitch dimension			Nominal dimension					—
	over 0	over 6	over 10	over 0	over 30	over 60	over 100	over 150	
variable range	to 6	to 10	to 24	to 30	to 60	to 100	to 150		▱
Tolerance	±0.1	±0.15	±0.25	±0.2	±0.3	±0.5	±0.7	±1.0	0.05/10

7	LZ-耳朵螺母	SM00B25000V	2	黄铜	
6	LC18-5.08方针	1047B0001AV	P	紫铜	镀雾锡
5	LC1-5.08-方块	F1A0BLC5083V	P	黄铜	镀镍
4	LC1-5.08-螺丝	SPOYA305301V	P	碳钢	三价铬钝化彩锌
3	LC16脚	1045TOY01AV	1-2	PA66-V0	
2	LC19U-5.08-盖板	1050COYXXAV	1	PA66-V0	
1	LC19UM-5.08主体	1050MOYXXAV	1	PA66-V0	
NO.	NAME OF PART	NO. OF PART	QTY	MATERIAL	NOTES
DES.	CMZ	DATE	25/08/05	UNITS	mm
CHK.		DATE		SIZE	A4
APP.		DATE		SCALE	1:1
				DWG NO.	SP-2-1050001
				REV:	V0
上海联捷电气有限公司 Shanghai Elinker Electric CO.,LTD				TITLE	LC19UM-5.08-XXP-1Y-00A LC19UM-5.08成品